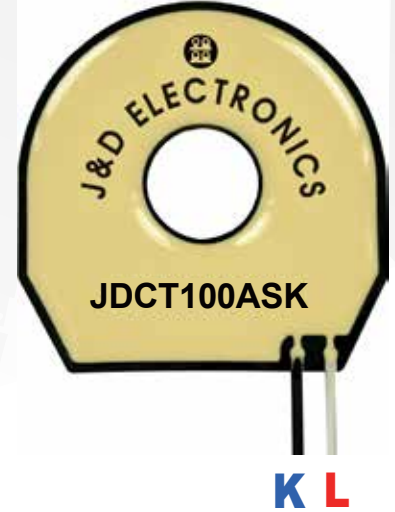
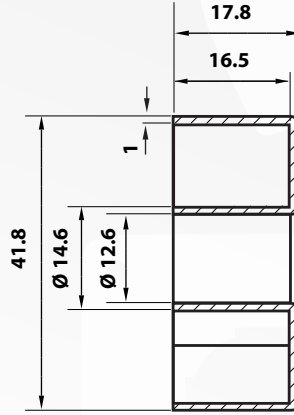
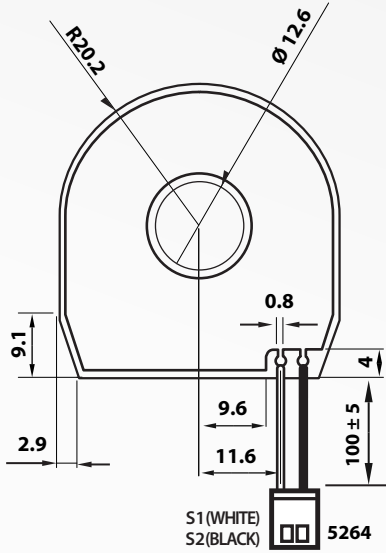


SOLID-CORE CURRENT TRANSFORMER JDCT100ASK

DIMENSION

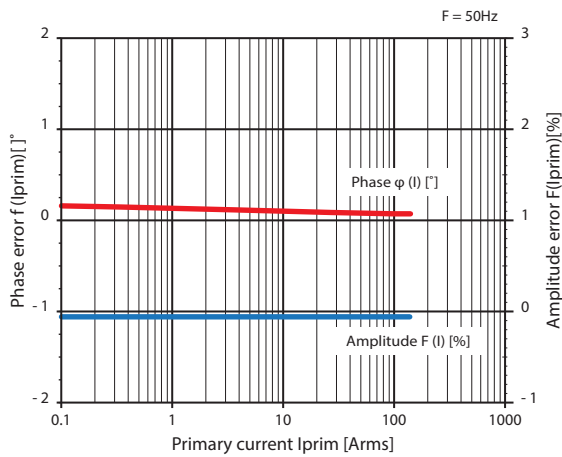


SPECIFICATION

Accuracy conforms to IEC 61869-2,
meets the measuring range from 1 to 120 % of I_n

Model	Primary Current Range		Error Phase $\phi(I)$ [°]	Turns Ratio	Characteristical Value				Terminal Structure	Inner Dia. ϕ
	I_{max} [Arms]	I_{peak} [A0p]			L [H]	Rcu [Ω]	RB [Ω]	UB [Vrms]		
JDCT100ASK	100	100	0.12	1:2500	155	95	7.5	0.3	Wire	12.6

OUTPUT VOLTAGE DATA



GRAPH

