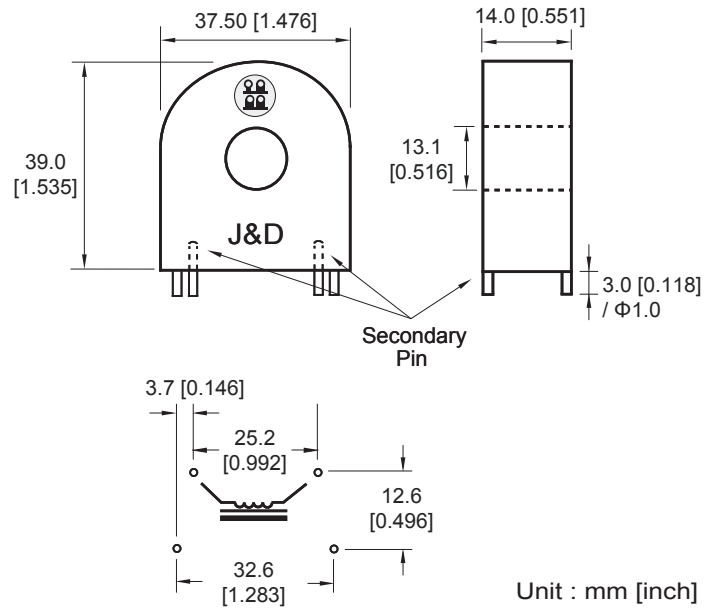
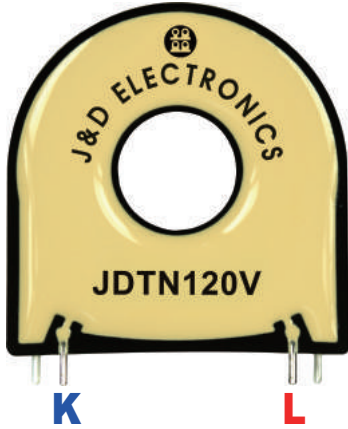


With DC-Tolerance Current Transformer JDTN120V

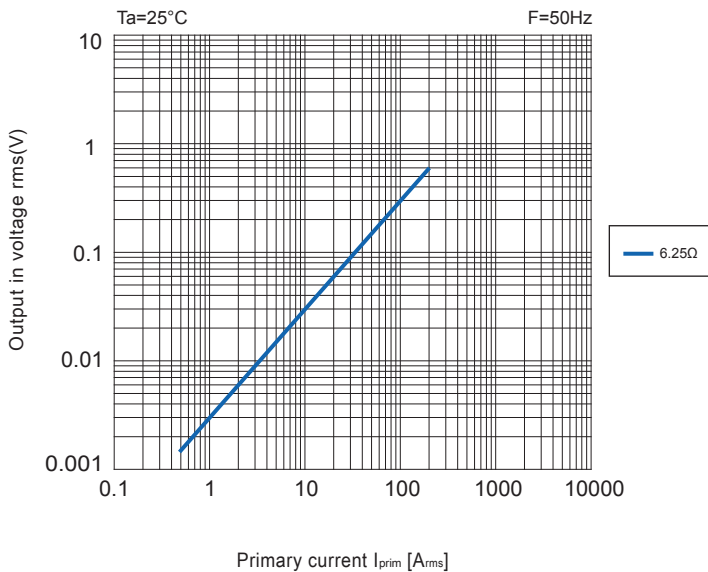
Dimension >>>>



Accuracy conforms to IEC 61869-2,
meets the measuring range from 1 to 120 % of I_n

Model	Primary Current Range		Error Phase ∠(I) [°]	Turns Ratio	Characteristical Value				Terminal Structure	Inner Dia.∅
	I _{max} [Arms]	I _{peak} [AOp]			L [H]	R _{cu} [Ω]	R _B [Ω]	U _B [Vrms]		
JDTN120V	120	120	3.83	1:2500	3.22	55	6.25	0.3	Pin	13

>>>> Output Voltage Data



>>>> Temperature Data

