



Solid Core CT for Branch Circuit Monitoring J3CT075-XXX-V or A

3&1 AC CT

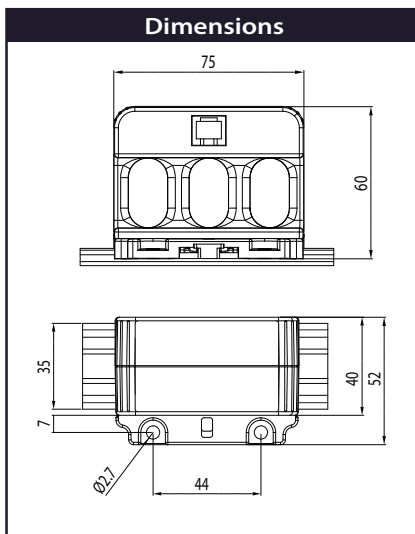


- 3 Phase measuring current transformers.
- Ranges: 30 to 100A (333mV & 100mA Secondary)
- Cable aperture : 3 @ 15.5 x 27mm
- RJ12 socket for use with our EASYMODULAR multi channel meters
- Panel / DIN Rail Mounting

J3CT090-XXX-V or A



- 3 Phase measuring current transformers.
- Ranges: 60 to 160A (333mV & 100mA Secondary)
- Cable aperture : 3 @ 17 x 27mm
- RJ12 socket for use with our EASYMODULAR multi channel meters
- Panel / DIN Rail Mounting



How to Order / Model Reference

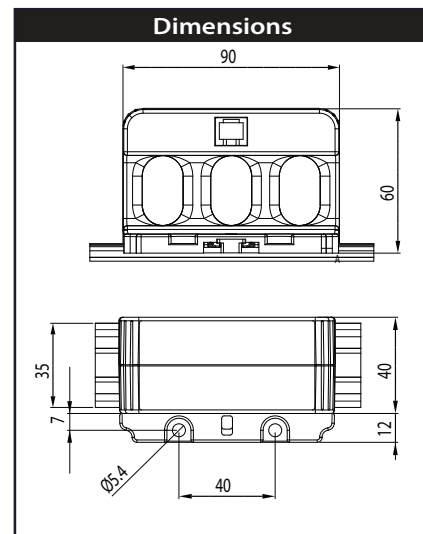
eg **J3CT075-000/333mV**
J3CT075 **100mA**

Primary Current	Select code from ratio table
Secondary Voltage	333 mV
Secondary Current	100 mA

Current Transformer Ratios

Primary Current (A)	Metering Burden(VA)			Code
	cl. 0.25	cl. 0.55	cl. 1	
30			0.033	030
50			0.033	050
60		0.033		060
75	0.033			075
100	0.033			100

333mV / 100mA Secondary



How to Order / Model Reference

eg **J3CT090-000/333mV**
J3CT090 **100mA**

Primary Current	Select code from ratio table
Secondary Voltage	333 mV
Secondary Current	100 mA

Current Transformer Ratios

Primary Current (A)	Metering Burden(VA)			Code
	cl. 0.25	cl. 0.55	cl. 1	
60			0.033	060
75			0.033	075
100			0.033	100
125	0.033			125
150	0.033			150
160	0.033			160

333mV / 100mA Secondary



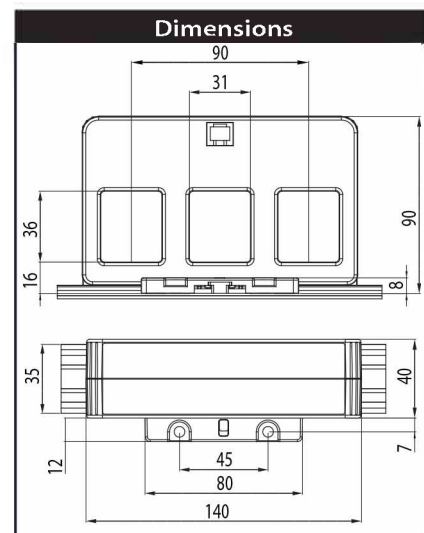
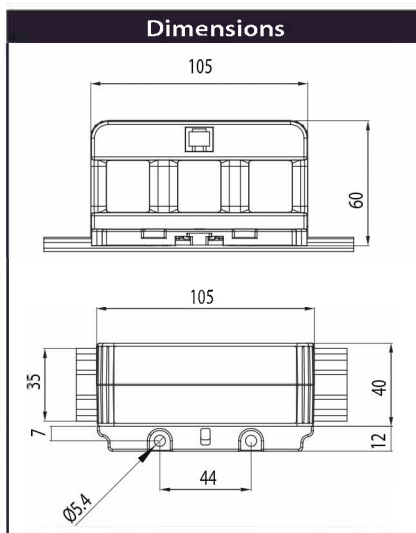
Solid Core CT for Branch Circuit Monitoring J3CT105-XXX-V or A

J3CT140-XXX-V or A



- 3 Phase measuring current transformers.
- Ranges: 125 to 250A (333mV & 100mA Secondary)
- Cable aperture : 3 @ 21 x 25mm
- RJ12 socket for use with our EASYMODULAR multi channel meters
- Panel / DIN Rail Mounting

- 3 Phase measuring current transformers.
- Ranges: 250 to 630A (333mV & 100mA Secondary)
- Cable aperture : 3 @ 31x 36mm
- RJ12 socket for use with our EASYMODULAR multi channel meters
- Panel / DIN Rail Mounting



How to Order / Model Reference

eg **J3CT105-0100/333mV**
J3CT105 **100mA**
 Primary Current
 Select code from ratio table
 Secondary Voltage **333mV**
 Secondary Current **100mA**

Current Transformer Ratios

Primary Current (A)	Metering Burden(VA)				Code
	cl. 0.25	cl. 0.5S	cl. 1	cl. 1.2	
125	0.033				125
150	0.033				150
160	0.033				160
200	0.033				200
250	0.033				250

333mV / 100mA Secondary

How to Order / Model Reference

eg **J3CT140-0100/333mV**
J3CT140 **100mA**
 Primary Current
 Select code from ratio table
 Secondary Voltage **333mV**
 Secondary Current **100mA**

Current Transformer Ratios

Primary Current (A)	Metering Burden(VA)				Code
	cl. 0.25	cl. 0.5S	cl. 1	cl. 1.2	
250	0.033				250
300	0.033				300
400	0.033				400
500	0.033				500
600	0.033				600
630	0.033				630

333mV / 100mA Secondary